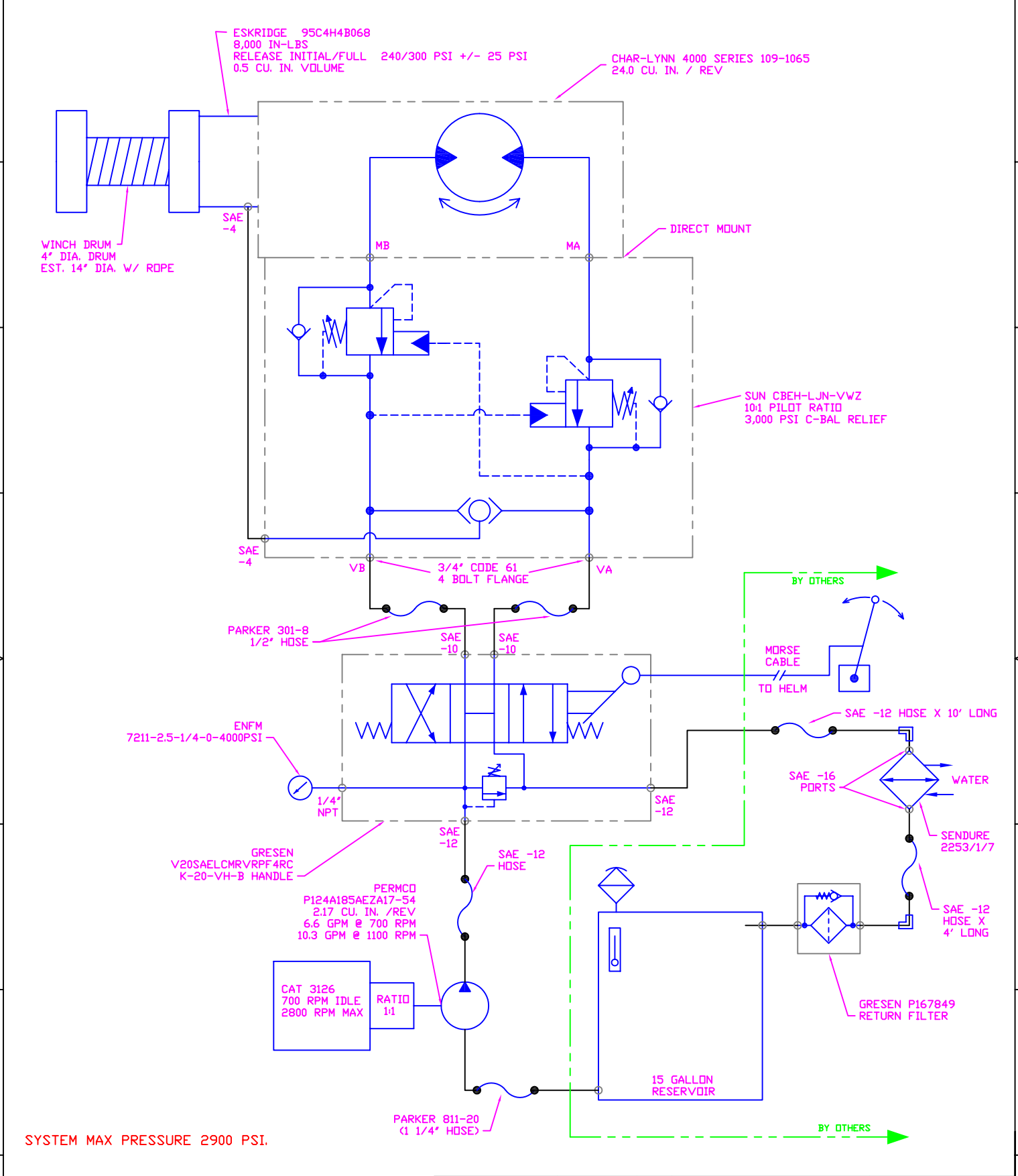



D C B A

8
7
6
5
4
3
2
1

8
7
6
5
4
3
2
1



SYSTEM MAX PRESSURE 2900 PSI.

| | | | | | |
|--|--------------|------------------|-------------------------|---|--------------|
| THIS DRAWING IS THE PROPERTY OF THE MANUFACTURING DIVISION OF THE RG GROUP AND MUST BE RETURNED ON REQUEST. ANY NEW IDEAS EXPRESSED HEREIN MUST BE MAINTAINED CONFIDENTIAL. MATERIAL: | DEH DRAWN | DATE 08 JUN 2006 | TITLE |  MANUFACTURING OPERATIONS 15 FLOUR MILL ROAD WEST YORK, PENNSYLVANIA USA | |
| | CHECKED | | COMMERCIAL WATER SPORTS | | |
| | ENGINEER | | DWG NO. 060608CWS | | REV. |
| | APPROVED | | SCALE | | SHEET 1 OF 1 |
| | FAB RELEASED | | | | |

| REV. | REVISION DESCRIPTION | DATE | BY |
|------|----------------------|------|----|
| | | | |

D C B A